

DESCRIPTION AND MATERIAL

- 316 stainless steel passivated per QQ-P-35 Type VI with naval bronze engaging nut.
- Bulkhead connectors available as a threaded or flanged version with a removable glass reinforced epoxy insert. (Except for MHDG Series and CCP's)
- Up to 61 contacts.
- Up to 600 VDC.
- 5,000 PSI in mated condition.
- Bulkhead connector design open face pressure rated to 5,000 psi.
- Contacts are gold plated per MIL-G-45204.

USES

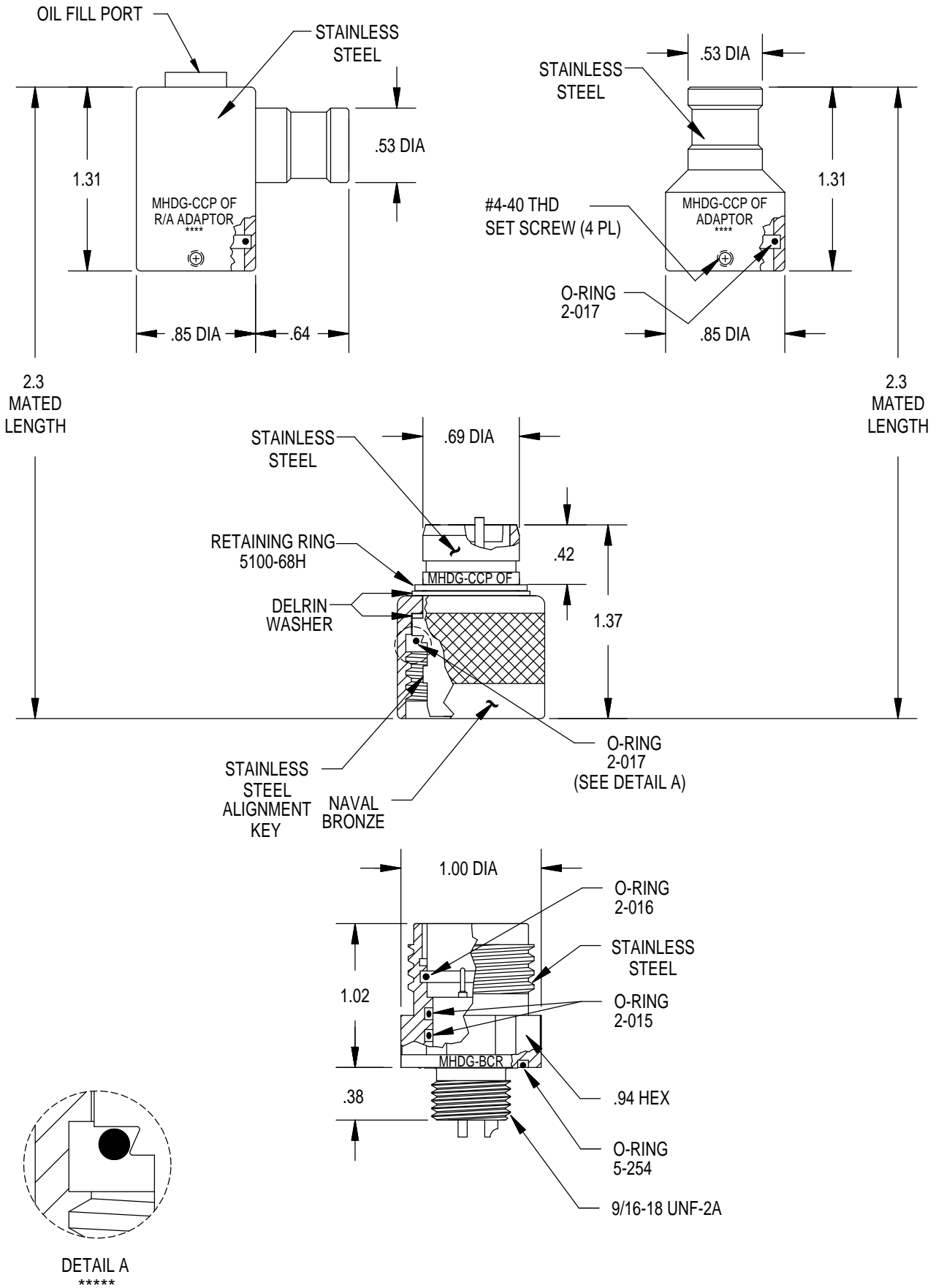
- For use with oil filled tubes.
- Signal telemetry.
- Hazardous environment.

GUIDELINES

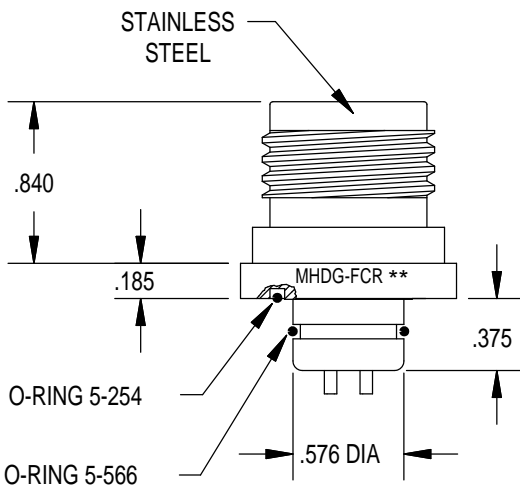
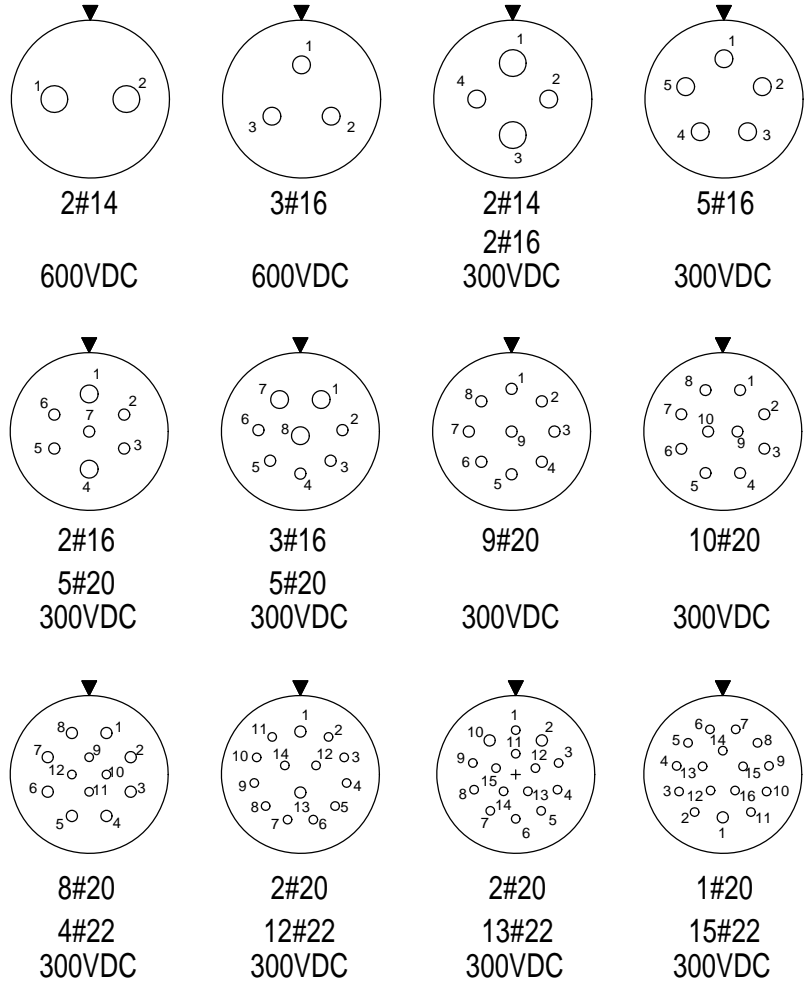
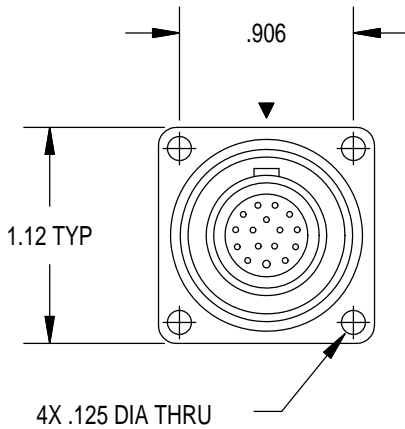
- Mounting torque should not exceed 150 in/lbs. for this series.
- All mounting surfaces require a 32 finish.
- Align indexes.
- Keep o-ring grooves clean.
- Avoid o-ring cuts and nicks.
- Lubricate o-rings with Dow Corning #111 Valve Lubricant or equivalent.
- Replace o-rings when re-using connectors.
- Avoid contact with noxious solvents.
- Elastomers can be seriously degraded if exposed to direct sunlight or high ozone levels for extended periods of time.
- Slight leakage of oil through CCP face may occur.

MHDG-OF

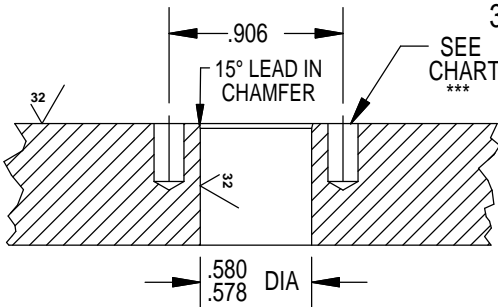
MINIATURE HIGH DENSITY SERIES - OIL FILLED



CONTACT CONFIGURATION
(BCR FACE VIEW)



MOUNTING INSTRUCTIONS

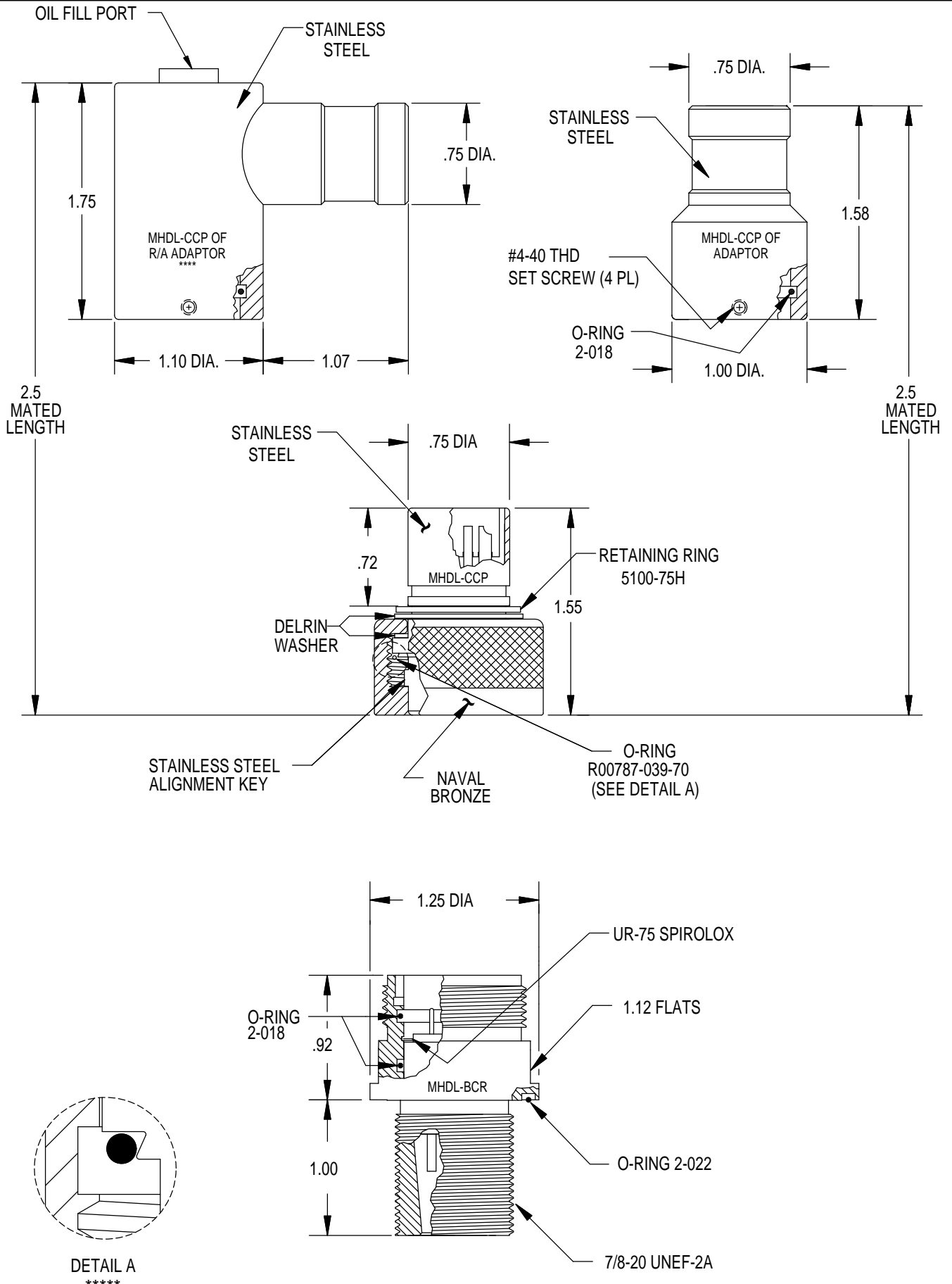


MOUNTING TORQUE FOR MHDG-BCR	not to exceed 150 in lbs	MATED PRESSURE RATING (psi)	5,000
DUMMY PLUG FOR MHDG-BCR/FCR/CCR	MHDG-SCP	DUMMY PLUG FOR MHDG-CCP	MHDG-SCR

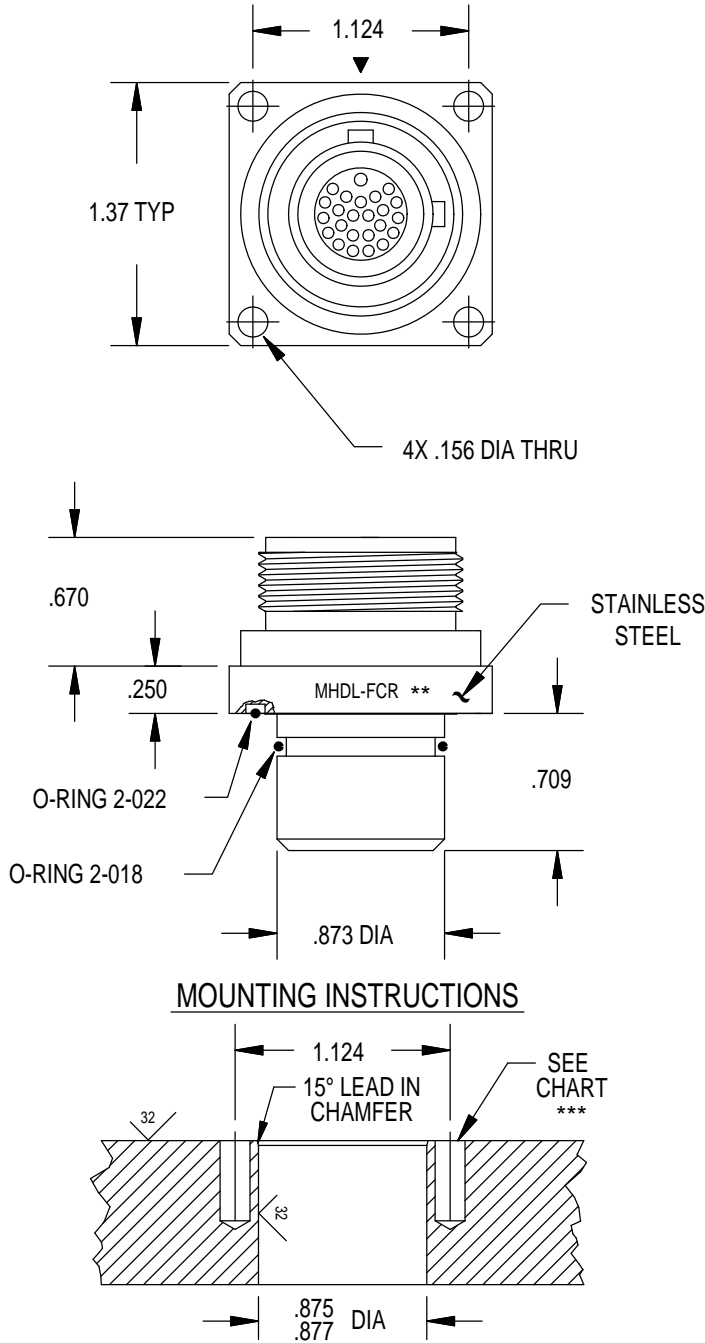
* Please specify number of contacts.
 ** Internal assembly same as MHDG-BCR (facing page).
 *** Blind tapped hole not to penetrate bulkhead, minimum full thread depth 2 times bolt diameter.
 **** OF adaptors should only be used with CCP-OF bodies.
 ***** O-Ring installation tool available - Contact factory for further details.

MHDL-OF

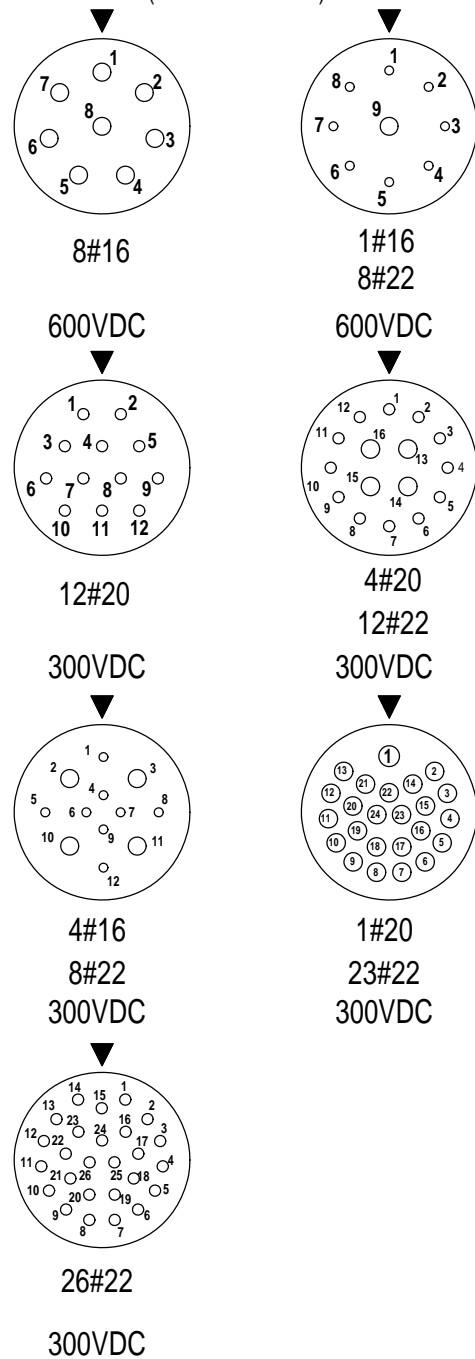
MINIATURE HIGH DENSITY SERIES - OIL FILLED



CONTACT CONFIGURATION
(BCR FACE VIEW)



MOUNTING INSTRUCTIONS

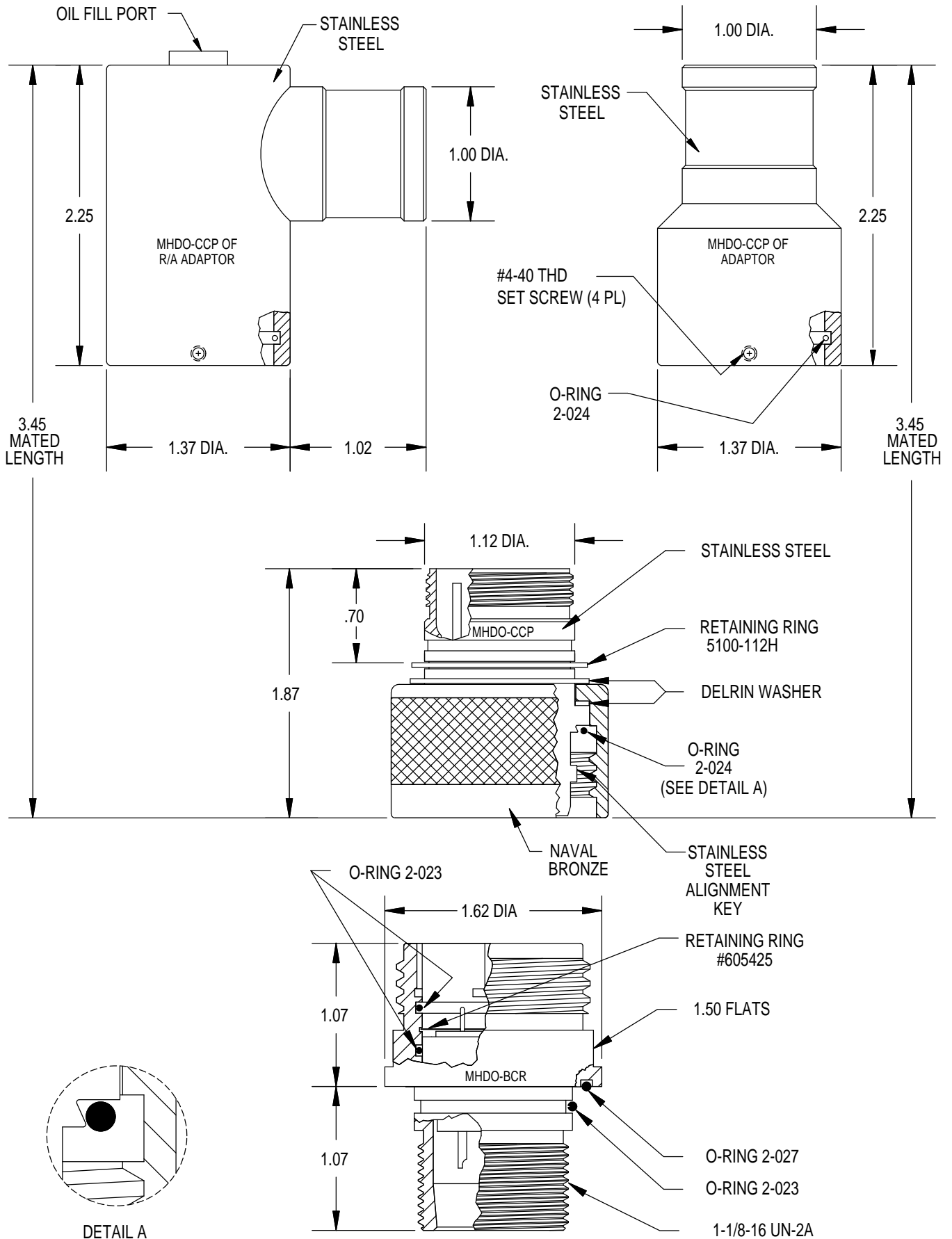


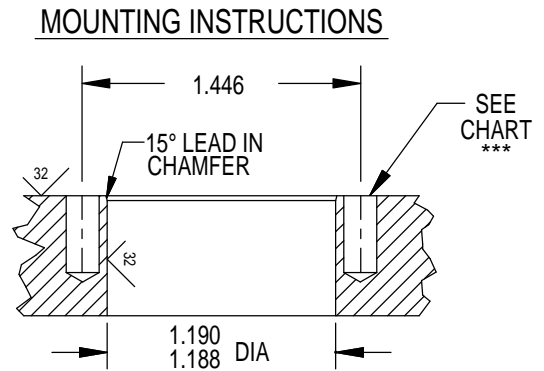
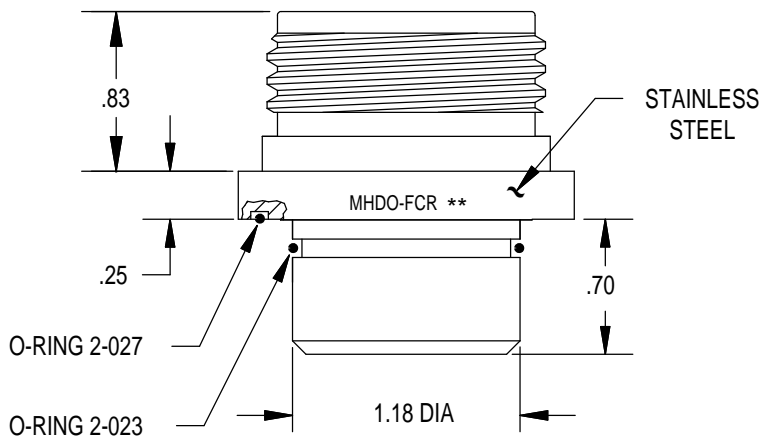
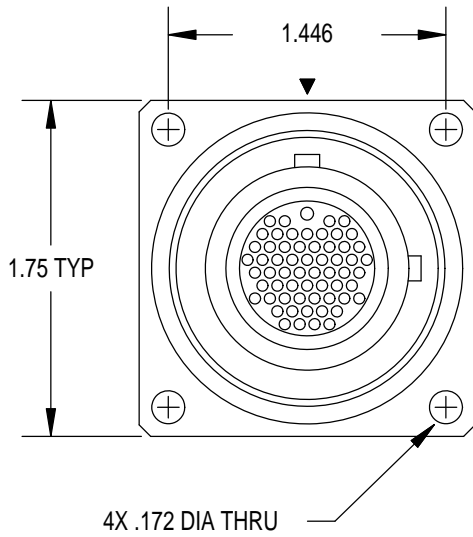
MOUNTING TORQUE FOR MHDL-BCR	not to exceed 200 in lbs	MATED PRESSURE RATING (psi)	5,000
DUMMY PLUG FOR MHDL-BCR/FCR/CCR	MHDL-SCP	DUMMY PLUG FOR MHDL-CCP	MHDL-SCR

* Please specify number of contacts.
 ** Internal assembly same as MHDL-BCR (facing page).
 *** Blind tapped hole not to penetrate bulkhead, minimum full thread depth 2 times bolt diameter.
 **** O-Ring installation tool available - Contact factory for further details.

MHDO-OF

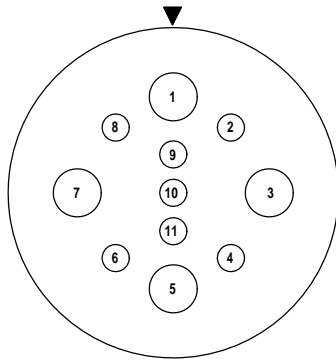
MINIATURE HIGH DENSITY SERIES - OIL FILLED



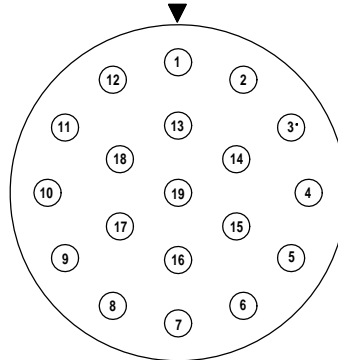


MOUNTING TORQUE FOR MHDO-BCR	not to exceed 200 in lbs	MATED PRESSURE RATING (psi)	5,000
DUMMY PLUG FOR MHDO-BCR/FCR/CCR	MHDO-SCP	DUMMY PLUG FOR MHDO-CCP	MHDO-SCR
<p>* Please specify number of contacts. ** Internal assembly same as MHDO-BCR (facing page). *** Blind tapped hole not to penetrate bulkhead, minimum full thread depth 2 times bolt diameter. **** O-Ring installation tool available - Contact factory for further information.</p>			

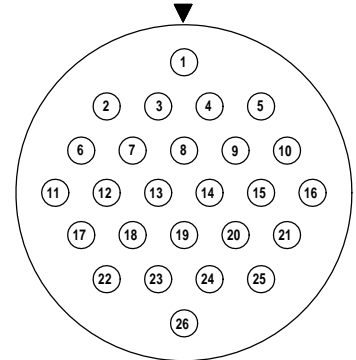
CONTACT
CONFIGURATION
(BCR FACE VIEW)



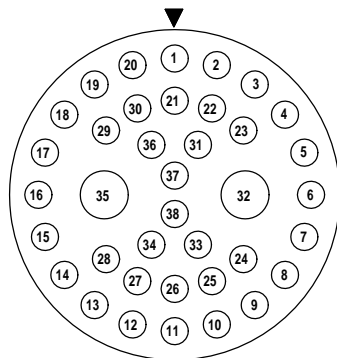
7#22
4#10
600VDC



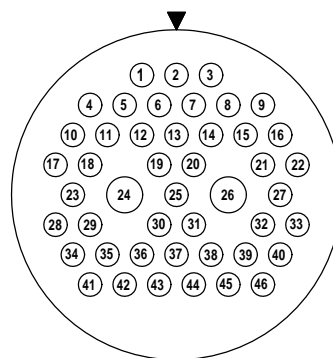
19#16
600VDC



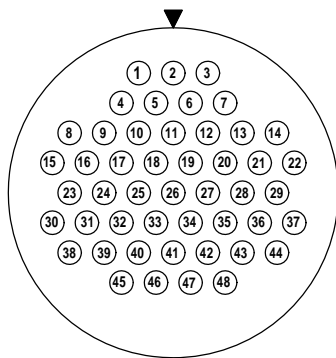
26#20
450VDC



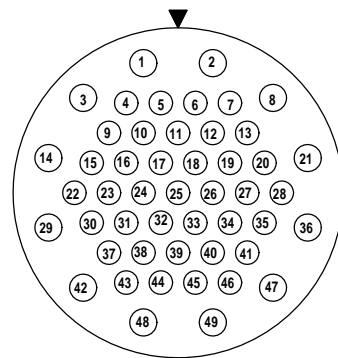
2#10
36#22
300VDC



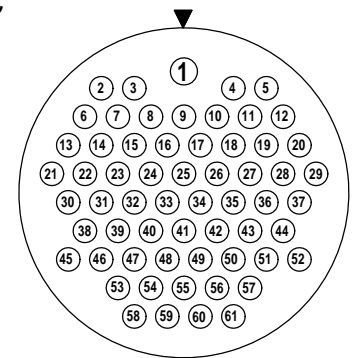
44#22
2#16
300VDC



48#22
300VDC



12#20
37#22
300VDC



1#20
60#22
300VDC