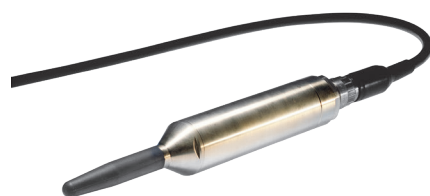


# Hydrophone TC4014



## Broadband Spherical Hydrophone

The TC4014-5 broadband spherical hydrophone offers a very wide usable frequency range with excellent omnidirectional characteristics in all planes. The overall receiving characteristics make the TC4014-5 an ideal transducer for making absolute underwater sound measurements up to 480kHz. The wide frequency range also makes the TC4014-5 perfect for calibration purposes, particularly in higher frequencies.

The TC4014-5 incorporates a low-noise 26dB preamplifier providing signal conditioning for transmission through long underwater cables.

The TC4014-5 features an insert calibration facility, which allows for a reliable test of the hydrophone.

The sensor element is permanently encapsulated in special formulated NBR to ensure long-term reliability. The rubber has been specially compounded to ensure acoustic impedance close to that of water. The hydrophone and connector housing is made of corrosion resistant aluminum bronze.

TC4014-5 has differential output. The differential output is an advantage where long cables are used in an electrically noisy environment.

## TECHNICAL SPECIFICATIONS

<b>Usable frequency range:</b>	15Hz to 480kHz
<b>Linear frequency range:</b>	30Hz to 100kHz ±2dB 25Hz to 250kHz ±3dB
<b>Receiving sensitivity:</b>	Single ended: -186dB ±3dB re 1V/μPa Diff. out: -180dB ±3dB re 1V/μPa)
<b>Horizontal directivity:</b>	Omnidirectional ±2dB at 100kHz
<b>Vertical directivity:</b>	270° ±2dB at 100kHz
<b>Operating depth:</b>	900m
<b>Survival depth:</b>	1200m
<b>Operating temperature range:</b>	-2°C to +55°C
<b>Storage temperature range:</b>	-40°C to +80°C
<b>Weight (in air):</b>	650g without cable
<b>Max. output voltage:</b>	≥2.8Vrms (at 12VDC)
<b>Preamplifier gain:</b>	26dB
<b>Supply voltage:</b>	12 to 24VDC
<b>High pass filter:</b>	15Hz -3dB
<b>Calibration path attenuation:</b>	at 10kHz 14dB
<b>Current consumption:</b>	<28mA at 12VDC <34 mA at 24VDC
<b>Max. output effect:</b>	50mW

Please note that this product requires a minimum quantity per order



## PRODUCT BENEFITS

- Wide usable frequency range
- Omnidirectional in all planes
- Built-in low noise preamplifier
- Long-term stability
- Individually calibrated
- Available with differential output



**TELEDYNE MARINE**  
**RESON**  
 Everywherewhoyoulook™

# Hydrophone TC4014

## Broadband Spherical Hydrophone

### NBR means Nitrile Rubber

The NBR rubber is first of all resistant to sea and fresh water but also resistant to oil. It is limited resistant to petrol, limited resistant to most acids and will be destroyed by base, strong acids, halogenated hydrocarbons (carbon tetrachloride, trichloroethylene), nitro hydrocarbons (nitrobenzene, aniline), phosphate ester hydraulic fluids, Ketones (MEK, acetone), Ozone and automotive brake fluid.

### Documentation:

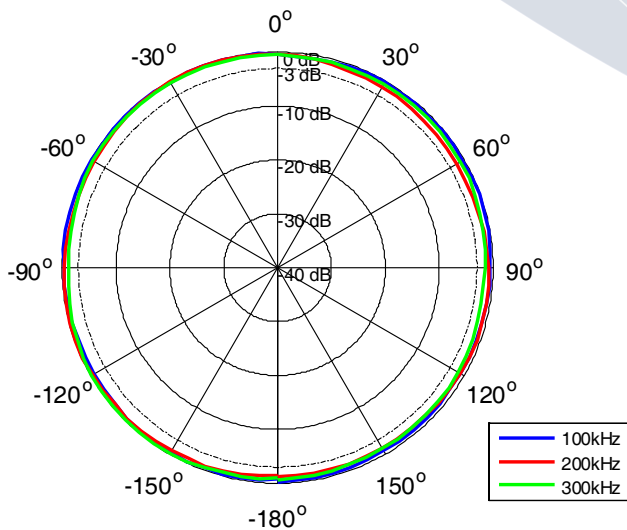
Horizontal directivity: At 100, 200, 300kHz

Receiving sensitivity: 5kHz to 500kHz

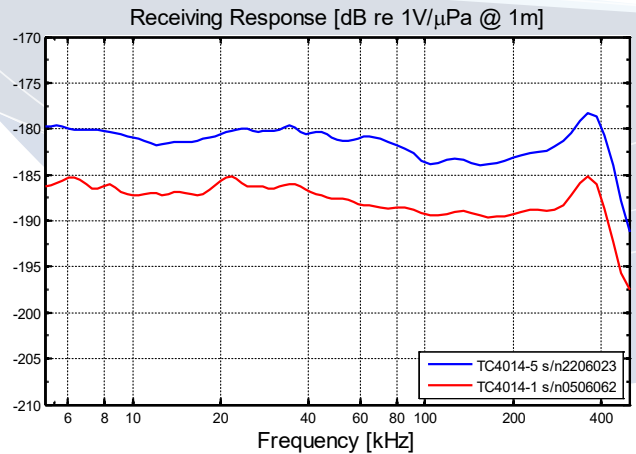
Vertical directivity: At 100, 200, 300kHz

Sensitivity at reference frequencies: 250Hz

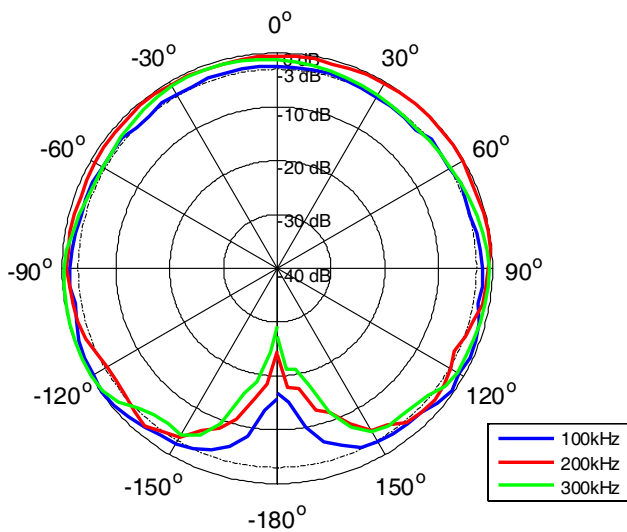
Horizontal directivity pattern



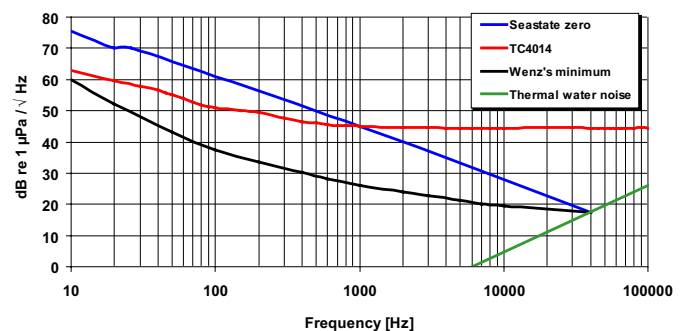
Receiving Sensitivity [dB re 1V/μPa @ 1m]



Vertical directivity pattern



Typical equivalent noise pressure curve



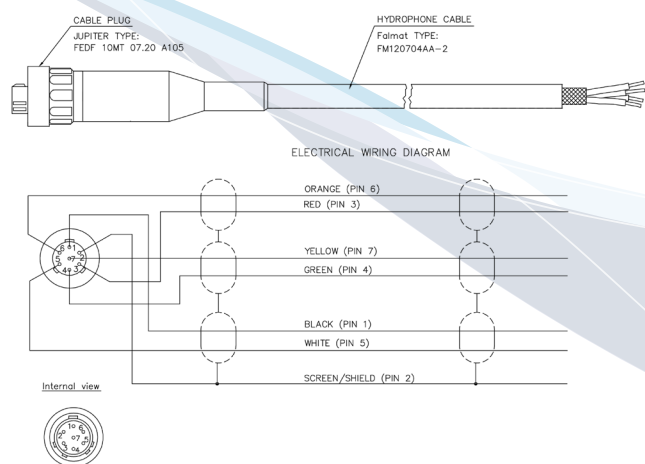
Valid for all versions of TC4014

# Hydrophone TC4014

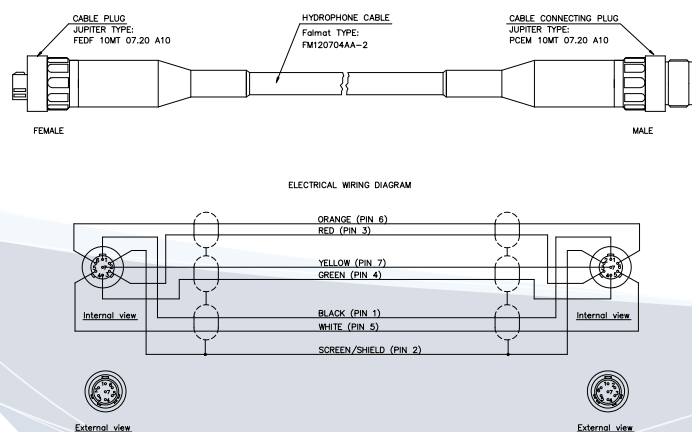
## Broadband Spherical Hydrophone

### Accessories

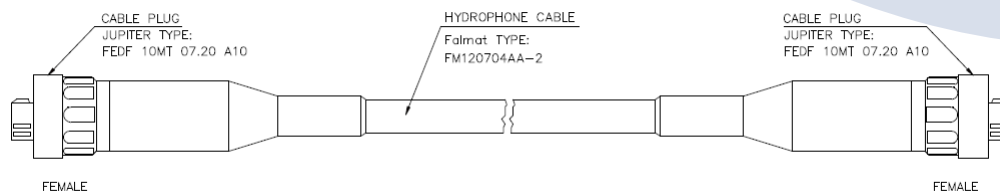
#### TL8140



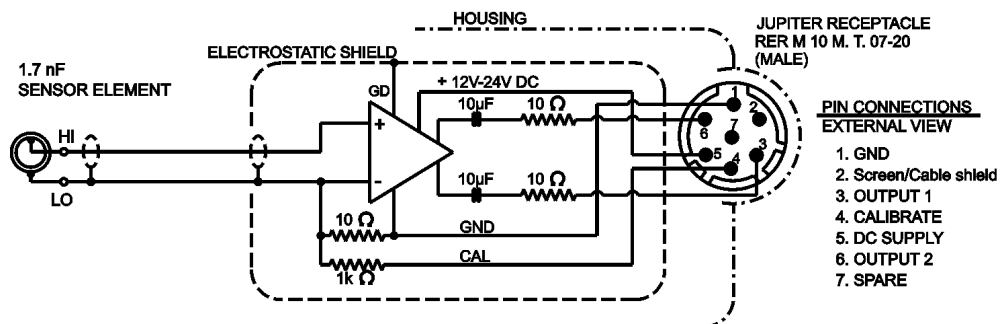
#### TL8142



#### TL8144



### Electrical Diagram for TC4014-5



# Hydrophone TC4014



## Broadband Spherical Hydrophone

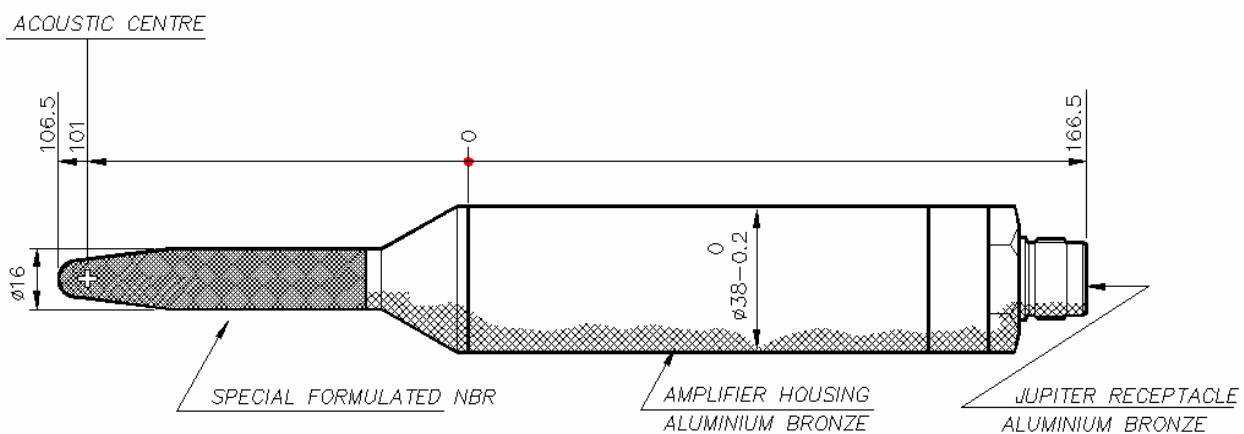
### Insert voltage calibration

The TC4014 preamplifier contains an insert calibration circuit. This allows for electrical calibration of the hydrophone. The calibration method is not an absolute calibration, but it provides a reliable method for testing of the hydrophone, especially for hydrophones in fixed remote installations. The insert sine signal simulates the output signal from the sensor element.

To perform an insert calibration, use an appropriate function generator. The applied calibration signal must not exceed 10 Vrms. A higher voltage may damage the calibration resistor. 2 Vrms will be appropriate for insert calibration. The attenuation of the calibration signal is 14dB@10kHz for short cables.

Apply the signal to the calibrate input, connector contact 4 = green wire of cable. Connect generator ground to sine generator ground, and measure the signal on hydrophone output.

### Outline Dimensions



For information on export control regulations on this product, please refer to [www.teledynemarine.com/reson](http://www.teledynemarine.com/reson)



**TELEDYNE MARINE**  
**RESON**  
*Everywhere you look™*

[www.teledynemarine.com/reson](http://www.teledynemarine.com/reson)

Tel. +45 4738 0022 (Europe) • Tel: +1 805 964 6260 (USA)

Email: [reson@teledyne.com](mailto:reson@teledyne.com)